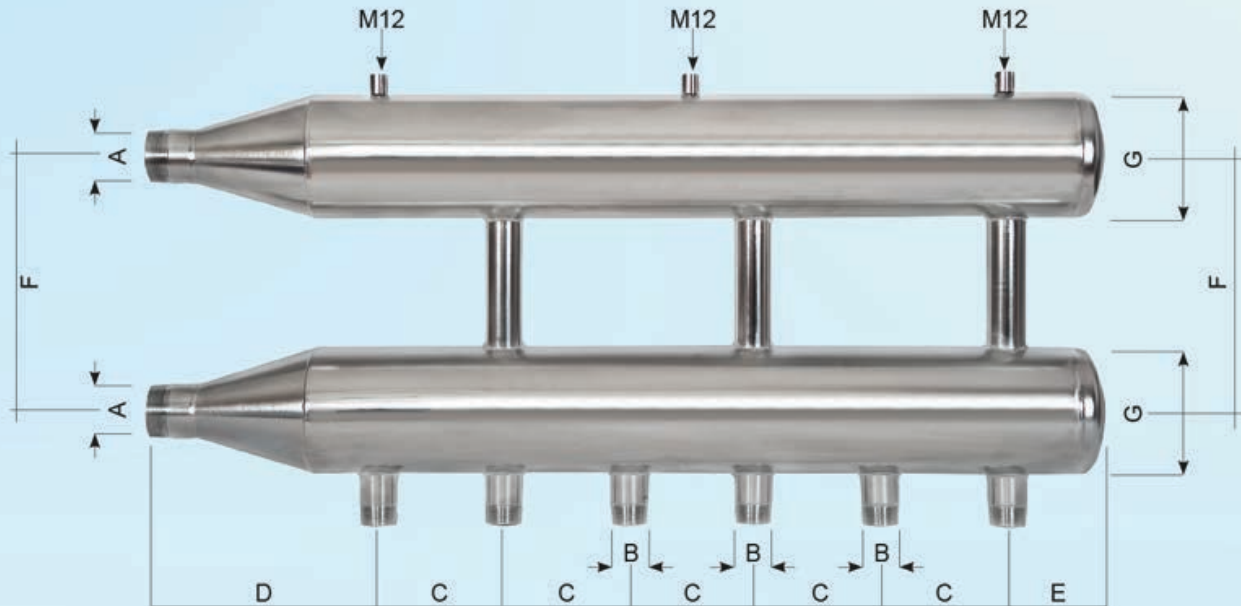


COPLANAR STAINLESS STEEL MANIFOLD AISI 304/316

SRG Coplanar Manifolds combine the supply and return manifold into a single component.

Their compact design makes them ideal for use in thermal power stations for heating and conditioning systems. Equipped with an insulation shell, they prevent thermal fluctuations in the system, maintaining a constant temperature and ensuring significant energy savings.



CODE	A	B	C	D	E	F	G	ZONE
DN 65 140 20	1 1/4"	3/4"	140	185	90	220	Ø 76,1	Custom Specifications
DN 65 140 25	1 1/4"	1"	140	185	90	220	Ø 76,1	Custom Specifications
DN 80 140 25	1 1/2"	1"	140	210	90	240	Ø 88,9	Custom Specifications
DN 80 140 32	1 1/2"	1 1/4"	140	210	90	240	Ø 88,9	Custom Specifications
DN 100 140 32	1 1/2"	1 1/4"	140	235	90	260	Ø 114,3	Custom Specifications
DN 100 140 40	1 1/2"	1 1/2"	140	235	90	260	Ø 114,3	Custom Specifications
DN 125 140 40	2"	1 1/2"	140	260	90	280	Ø 139,7	Custom Specifications
DN 125 140 50	2"	2 1/2"	140	260	90	280	Ø 139,7	Custom Specifications

Notes: Custom designs and specifications are available upon request.



INCLUDES HEAT INSULATION SHELL