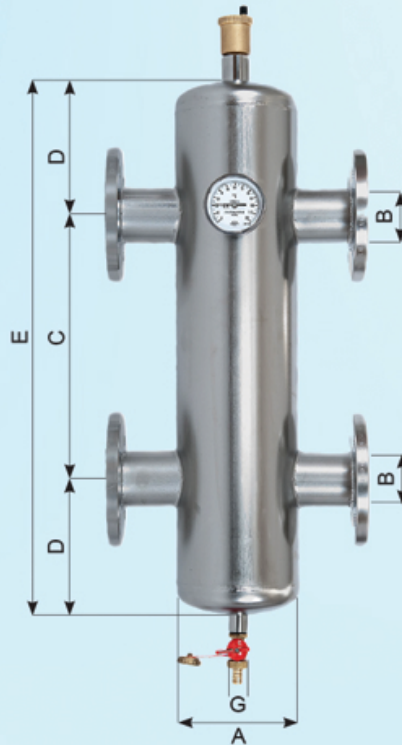
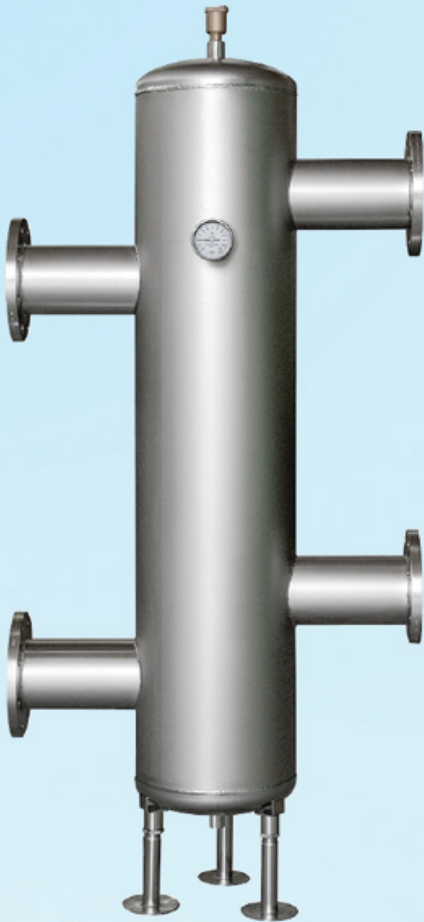


FLANGED HYDRAULIC SEPARATOR/COMPENSATOR IN STAINLESS STEEL AISI 304/316



The **SRG Multifunctional Hydraulic Separator** is a device designed for heating and cooling systems. It serves to separate the primary and secondary circuits connected to it, ensuring their independence and compensating for flow rate differences between the circuits.

CODE	A	B	C	D	E	F	G
DN 150 065	6"	2 1/2"	330	170	670	1 1/4"	1"
DN 200 080	8"	3"	450	210	870	1 1/4"	1"
DN 250 100	10"	4"	450	210	870	1 1/4"	1"
DN 300 125	12"	5"	560	310	1180	1 1/4"	1"

Note:

Custom designs and specifications are available upon request.



INCLUDES HEAT INSULATION SHELL