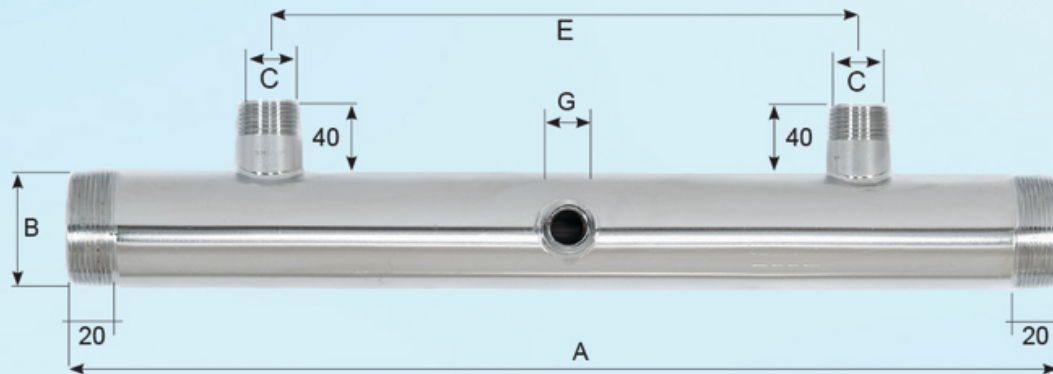




### INTAKE MANIFOLD FOR 2 STAINLESS STEEL 304 PUMPS



CODE	A LENGTH	B MAIN PIPE	C OUTLETS	E PUMP DISTANCE	G OUTLETS	H	WEIGHT KG.
76000	500	1" 1/2	1"	300	1/2"	40	1.80
76040	500	2"	1"	300	1/2"	40	2.10
76080	500	2"	1" 1/4	300	1/2"	40	2.20
76100	500	2"	1" 1/2	300	1/2"	40	2.30
76140	500	2" 1/2	1" 1/4	300	1/2"	40	2.80
76200	500	2" 1/2	1" 1/2	300	1/2"	40	2.80
76300	500	3"	2"	300	1/2"	60	3.40
76240	700	2"	1" 1/4	360	1/2"	40	3.00
76290	700	2"	1" 1/2	360	1/2"	40	3.10
76350	700	2 1/2"	1" 1/4	360	1/2"	40	3.90
76400	700	2 1/2"	1" 1/2	360	1/2"	40	3.90
76450	700	3"	2"	360	1/2"	60	5.00
76500	700	DN100	3"	360	1/2"	60	15.10

**Material:** Stainless steel AISI 304 - 316 - SP 3 mm

**Threads:** Gas Conical UNI ISO 228/1

**Welding:** Certified UNI EN ISO 9606-1

**Surface treatment:** Degreasing, Pickling, Electropolishing

**Identification Labeling on each piece**