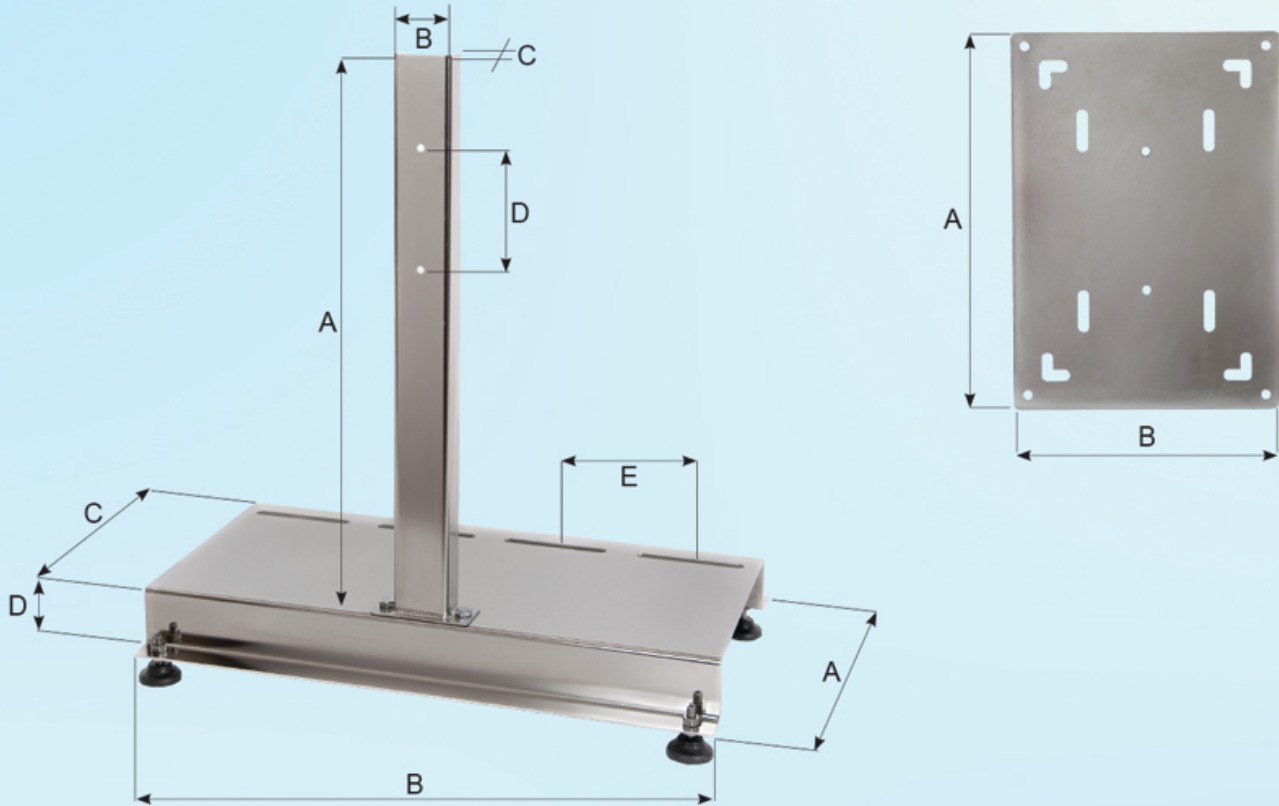


### STAINLESS STEEL 304 BASE PLATE AND ACCESSORIES



CODE	DESCRIPTION	A	B	C	D	E	WEIGHT KG.
68000	1 PUMP	310 mm.	260 mm.	250 mm.	54 mm.	130 mm.	5
68040	2 PUMPS	310 mm.	520 mm.	250 mm.	54 mm.	130 mm.	10
68080	2 PUMPS	350 mm.	620 mm.	290 mm.	54 mm.	150 mm.	11
68120	2 PUMPS	400 mm.	720 mm.	340 mm.	54 mm.	150 mm.	12
68200	3 PUMPS	310 mm.	800 mm.	250 mm.	54 mm.	130 mm.	15
68250	3 PUMPS	400 mm.	900 mm.	340 mm.	54 mm.	150 mm.	17
68300	4 PUMPS	310 mm.	1080 mm.	250 mm.	54 mm.	130 mm.	20
68350	4 PUMPS	400 mm.	1200 mm.	340 mm.	54 mm.	150 mm.	22
68020	SUPPORT	480 mm.	50 mm.	30 mm.	100 mm.	-	-
68060	SUPPORT	800 mm.	50 mm.	30 mm.	100 mm.	-	-
68010	PANEL	230 mm.	160 mm.	3 mm.	-	-	-
68070	PANEL	270 mm.	190 mm.	3 mm.	-	-	-
68090	PANEL	370 mm.	310 mm.	3 mm.	-	-	-
68110	4 ANTI-VIBRATION FEET	-	-	-	-	-	-

**Material: Stainless Steel AISI 304 - 316**

**Thickness: 3 mm.**

**Surface Treatment: Degreasing Pickling Electropolishing**