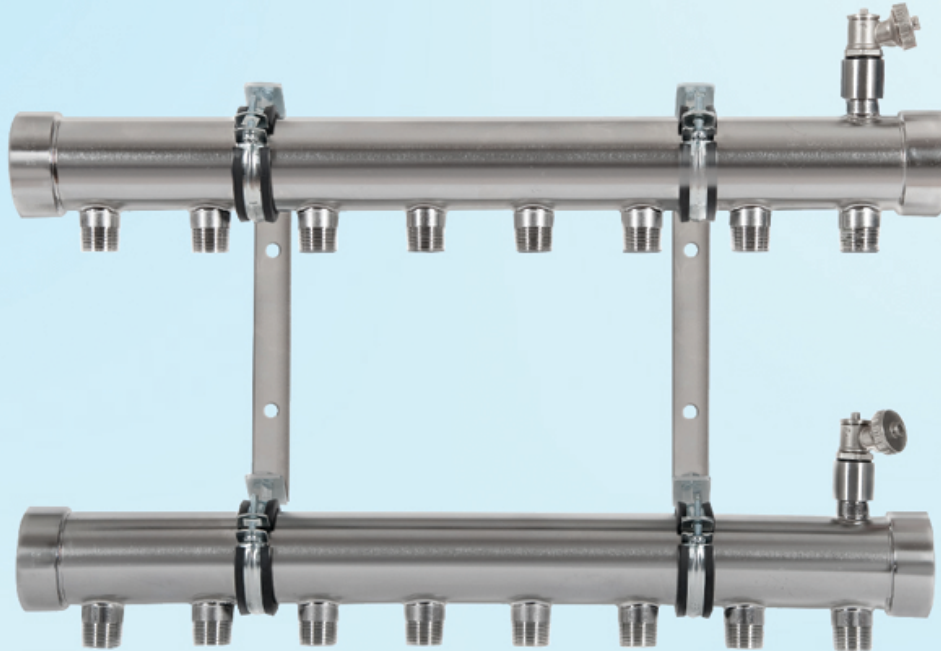


### STAINLESS STEEL 304 MANIFOLD FOR HEATING AND UNDERFLOOR CONDITIONING

SRG specializes in the construction of supply and return manifolds for underfloor heating and conditioning systems, designed for Civil, Commercial, and Industrial applications



#### TECHNICAL DATA SHEET

- ▶ **Stainless Steel 304 Manifold DIA 50 (2") DIA 65 (2 1/2")**
- ▶ **Sleeve terminals: DIA 50 (2") and DIA 65 (2 1/2")**
- ▶ **Outlets: from DIA 20 (3/4") with stub pipe**
- ▶ **Spacing between outlets: 80 mm**
- ▶ **Vent Valves: DIA 15 (1/2") sleeve**
- ▶ **Wall Mounting Brackets: Made of stainless steel**

CODE	PRODUCT	OUTLETS		
1850004	Stainless Steel Manifold	2"	4+4	3/4"
1850005	Stainless Steel Manifold	2"	5+5	3/4"
1850006	Stainless Steel Manifold	2"	6+6	3/4"
1850007	Stainless Steel Manifold	2"	7+7	3/4"
1850008	Stainless Steel Manifold	2"	8+8	3/4"
1850009	Stainless Steel Manifold	2"	9+9	3/4"
1850010	Stainless Steel Manifold	2"	10+10	3/4"
1850011	Stainless Steel Manifold	2"	11+11	3/4"

CODE	PRODUCT	OUTLETS		
1850012	Stainless Steel Manifold	2"	12+12	3/4"
1865013	Stainless Steel Manifold	2" 1/2	13+13	3/4"
1865014	Stainless Steel Manifold	2" 1/2	14+14	3/4"
1865015	Stainless Steel Manifold	2" 1/2	15+15	3/4"
1865016	Stainless Steel Manifold	2" 1/2	16+16	3/4"
1865017	Stainless Steel Manifold	2" 1/2	17+17	3/4"
1865018	Stainless Steel Manifold	2" 1/2	18+18	3/4"

**Note: Custom designs and specifications are available upon request.**