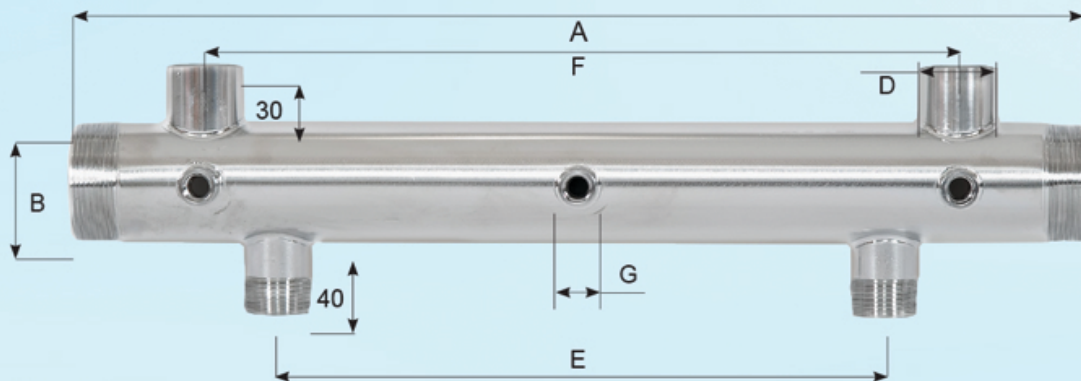




SUPPLY MANIFOLD FOR 2 STAINLESS STEEL 304 PUMPS



CODE	A LENGTH	B MAIN PIPE	C OUTLETS	D OUTLETS	E PUMP DISTANCE	F	G OUTLETS	H	WEIGHT KG.
85000	500	1" 1/2	1"	1"	300	370	1/4"	40	1.90
85010	500	2"	1"	1"	300	370	1/4"	40	2.30
85030	500	2"	1" 1/4	1"	300	370	1/4"	40	2.40
85050	500	2"	1" 1/2	1"	300	370	1/4"	40	2.40
85100	500	2" 1/2	1" 1/4	1"	300	370	1/4"	40	2.90
85150	500	2" 1/2	1" 1/2	1"	300	370	1/4"	60	3.00
85200	500	3"	2"	1"	300	370	1/4"	60	3.50
85300	700	2"	1" 1/4	1"	360	370	1/4"	40	3.20
85350	700	2"	1" 1/2	1"	360	390	1/4"	40	3.20
85400	700	2 1/2"	1" 1/4	1"	360	390	1/4"	40	4.00
85450	700	2 1/2"	1" 1/2	1"	360	390	1/4"	60	4.20
85500	700	3"	2"	1"	360	390	1/4"	60	4.90
85900	700	DN100	3"	1"	360	390	1/4"	60	15.20

Material: Stainless steel AISI 304 - 316 - SP 3 mm

Threads: Gas Conical UNI ISO 228/1

Welding: Certified UNI EN ISO 9606-1

Surface treatment: Degreasing, Pickling, Electropolishing

Identification Labeling on each piece